

## **Le Segatrici per Legno**



\* Articulated Band Saw  
for cutting Wood.

\* Serradora de Cinta  
para cortar Madera.

\* Ahşap İşleme Hızları.

\* Ленточнопильные станки  
по Дереву и Камню.



**LEGNO**  
**WOOD**  
**MADERA**

## **A continual search for solutions.**

**MD DARIO s.r.l.**

*was founded in the '70s as a modelling company and started the manufacture of band saws for timber, adapting and developing its products for the processing of many different materials, such as metal, glass, plastics, etc.*

*Over the years the sawing machines have been adapted with a further development to cut marble and granite, using diamond blades or wires, hence entering into the stone cutting and shaping sector.*

*Continual study and research to find solutions for problems of the customers has brought about the realisation of many innovative accessories that now distinguish the MD DARIO sawing machines from other conventional models.*

*The company philosophy has always been, besides production in series of the machines, to pay particular attention to design and construction of special machines to order, offering its skills to propose customised and innovative solutions, tailor-made for the specific processing requirements of the customer.*

**Manual, safe and easy to use.**

*The freedom of movement and the possibility to rotate the machine to any angle permits the realization of cuts and contours with maximum precision and creativity.*

*From the most simple to the most complex machines, the MD DARIO band saws can meet all requirements, whether used for hobbies or for more complex and special industrial applications.*

*Taking part at national and international exhibitions the company initially entered the inland market and subsequently decided to offer its products on the European market.*

*Obtaining excellent consent where it intended to enter and on the basis of the success achieved nowadays MD DARIO operates world-wide, exporting about 70% of the products manufactured.*

**MD DARIO s.r.l. protects its production and its innovations with patents registered for both the machines constructed and for the optional accessories.**



## Increase your possibilities.

*MD DARIO band saws, safe and simple to use, these are manual machines, run by an operator, designed and built to cut materials such as:*

*solid wood, wood particle panels, fibre or plywood panels, even if covered with laminated plastics or borders.*

The sawing machine has 3 vulcanised fly wheels that permit the use of cutting blades of different sizes according to the type of cut to be made.

The **SN33**, **SN44** and **SV3 MAXI** models can cut beams or carpentry pieces, the former with a maximum height of cm 31, 41 and 45, in maximum safety, with a special protection around the blade that safeguards the housing, in compliance with all standards and laws in force.

*They are mainly used in carpentry, on building sites, in small handicraft and artistic laboratories, furniture factories and are suitable for both small hobby operations and for processing in series.*

The main feature that distinguishes the *MD DARIO* sawing machine from conventional models is the **ARTICULATED ARM** that, with a special system of joints, allows the machine to rotate freely in all directions and at all angles so that the user can perform creative and very precise cuts.

Supports and devices created over time according to the requirements of the users have brought the *MD DARIO* sawing machines to the Top of the category, taking advantage of the following qualities :

- **Easy movement in the workshop and on site.**
- **Possibility to rotate the machine around the part to be processed or blanked.**
- **Forward inclination of the machine up to 45° for angled cutting.**
- **Realisation of arcs and circumferences.**
- **Manual copying device placed under the blade guide for shaped contours and circumferences in series.**
- **Panel clamping with pneumatic pressure locks to cut small series in packs.**



**On the picture:  
articulated arm**

## **BS-400 Articulated arm.**

*Consisting of a set of joints, the articulated arm is the tool that distinguishes all the MD DARIO machines and that makes it possible to easily rotate the sawing machine in any direction.*

*It can be applied to the wall, and combined with SN33 / SN44 to form the AP 500 model, or with the Mobile Carriage T 1000 to create the SET 1500 and with a fixed or moving Column the SET 2000 can be obtained.*

*As an optional, according to the size of the part to be processed or blanked, its length can be adjusted.*

# SN33

**The new SN33 is ideal for processing small handcraft pieces with a maximum height of 31 cm.**

DATI TECNICI / TECHNICAL DATA	SN33
Cutting width	390 mm.
Cutting height	250 mm.
Maximum cutting height with special blade-guide	310 mm.
Dimensions of work surface	500 x 400 mm.
Maximum blade length	2530 mm.
Minimum blade width	3 mm.
Power of motor	1,5 HP 1,1 KW
Weight	50 Kg

It is available fixed for working at the bench, if small parts are to be obtained that require high precision (mosaics and small objects) or otherwise mobile, applying it to the articulated arm.

In this case it is equipped with a two-hands control to ensure the maximum safety of the operator when working.

The working surface can be inclined in both directions, 35° to the right and 15° to the left, which is a very practical feature as it can be adjusted manually by means of a graduated hand wheel;

According to the requirements of the user, the SN33 can be applied either on a mobile carriage that permits transfer in different workplaces (SET 1500), or on a column to cut arcs and circumferences (SET 2000).

*(The features of each separate machine and configuration are given below).*

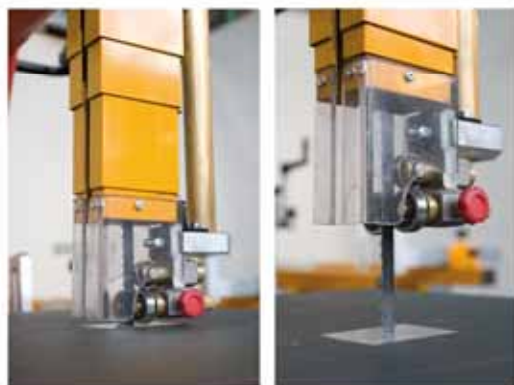


**photo above: SN33 version with fixed bench**



**Inclinable device detail**

*As an optional the inclinable device SR 700 can be applied to the base of the SN33 / SN44 on the Articulated Arm offering a frontal inclination of the Sawing machine from 0° to 45°.*



**NEW Bellows type protection system**

*System to protect the blade with new bar for lifting. The protection can be adjusted, easily lifting or lowering it in complete safety.*



**NEW Suction system**

*Practical and functional, for efficient suction of the cutting residue produced during the process.*

*Supplied on all SN33 / SN44 sawing machines for processes carried out on both bench and mobile sawing machines.*

# SN44

**Agile and with easy maneuverability, the new SN44, allows to reach maximum height cut of 41 cm.**

DATI TECNICI / TECHNICAL DATA	SN44
Cutting width	390 mm.
Cutting height	350 mm.
Maximum cutting height with special blade-guide	410 mm.
Dimensions of work surface	500 x 400 mm.
Maximum blade length	2720 mm.
Minimum blade width	3 mm.
Power of motor	1,5 HP 1,1 KW
Weight	55 Kg

Agile and easy to maneuver, lightweight and ideal for all the traditional processes that require a maximum cutting height till 41 cm.

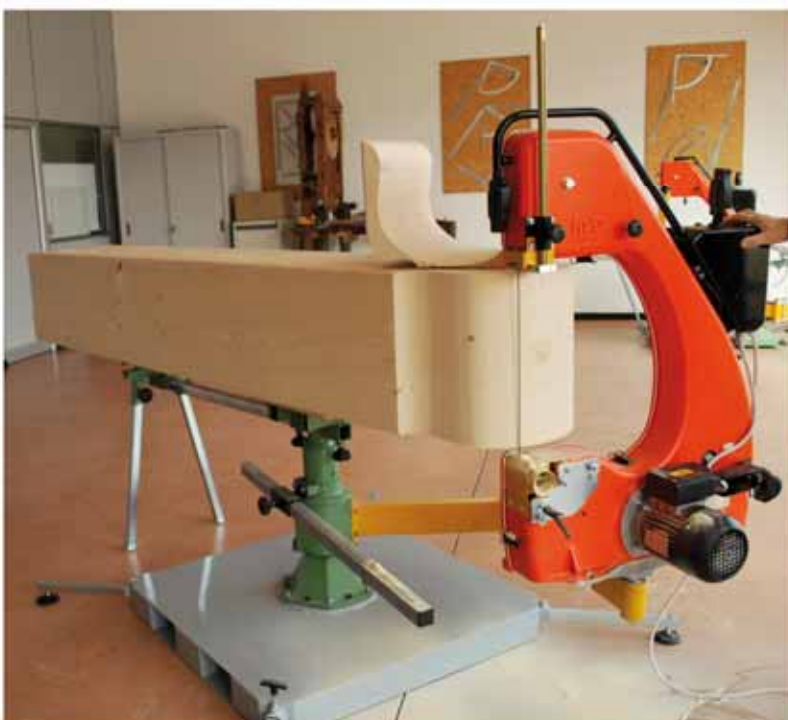
The SN44 is the last machine model of our creation. From the new rounded shape and sleek line, this new band saw model is the alternative solution for those customers which need to cut bigger heights in a manual version, maintaining the lightness and agility of movement of the machine.

According to the requirements of the user, both the SN33 and SN44 can be applied either on a mobile carriage that permits transfer in different workplaces (**SET 1500**), or on a column to cut arcs and circumferences (**SET 2000**).

*(The features of each separate machine and configuration are given below).*



**photo of SN44**



**detail of processed part**

**Set 2000 with application of SN44 band saw**



## **SET 1500**

**To move in several workplaces  
with the mobile trolley.**

*SN33 or SN44 sawing machine with articulated arm, mobile carriage,  
material pressure lock P-250 and working surface with machine clamping bracket.*

This features a mobile trolley with wheels, the *SET 1500* is particularly appropriate for those who need to move the machinery from the place of use, usually to an installation site or areas outside the company.

***Designed and built for structural work, such as roof beams, it can also be used to create pillars, banisters and many other shaped products.***

The material is fastened overhanging on the mobile trolley (*T 1000*) and is clamped onto it using a pressure lock (P 250), with the aid of the Articulated arm (*BS 400*) where the sawing machine *SN33* or *SN44* is positioned, cutting is both easy and precise.

It is also possible to fasten the sawing machine *SN33* or *SN44*, like a normal bench machine, using a special clamping system and applying the provided working surface to it, minor manual jobs can be carried out.

*(This is also a standard accessory on SET 2000, page 06).*

# SET 2000

## Circular, precise cuts using the central column.

*Sawing machine SN33 or SN44, articulated arm, central column, material support, arc cutting device, pressure lock P-250 and working surface with machine clamping.*

Designed for those who, besides normal carpentry work, have to make circular cuts.

The central column is the main feature of this model, and can be used in two ways, fastened to the floor or on a transportable platform, where in this case the SET 2000 can be moved to where it is needed.

**The column is the tool that permits the machine to rotate 360°, making it possible for the user to carry out many different processes, from blanking to the actual circular cut.**

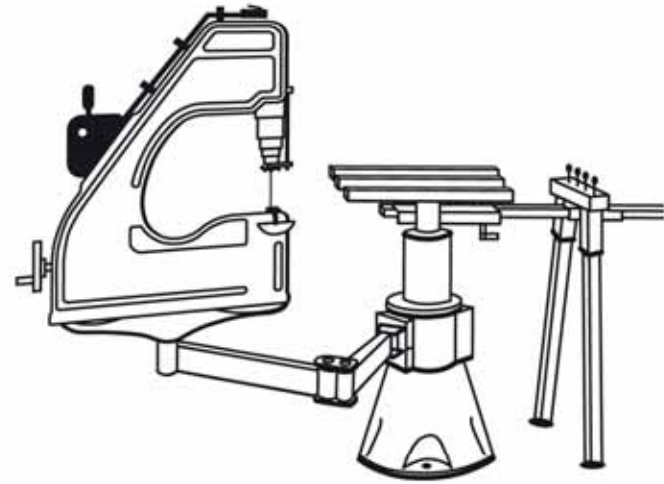
Fastening the material with a pressure lock and clamping the sawing machine to the required measurement with a special bar, precise arcs and fully round circumferences can be obtained.

**(Arc cutting device).**

The possibility to rotate makes it possible to have access to all the points of the part to be cut, making SET 2000 especially appropriate for carpentry shops that have to work the four sides of a panel.

Furthermore other pneumatic devices can be applied, and SET 2000 can be used with 2 or more work stations, also cutting the material in packs.

**Appropriate for processing of panels, beams, joists, arcs, contours in series, etc...**



### SET 2000 Carousel version.

Using the space provided by the column according to the type and number of processes to be carried out, **one or more stations** can be applied to SET 2000, with pneumatic clamping of the material, so that several parts with different contours can be processed at the same time.

*(with 1 working station= SET 2000 WITH PNEUMATIC SUPPORT).*

### SET 2000 With Pneumatic Support and material advance for panels.

The pneumatic support is used to clamp and cut several panels simultaneously, and has been designed to carry out all the contour processes that require cutting in packs (*shutter panels*) using wooden templates.

In this way it is not necessary to mark the line to be cut. After cutting, a manual mechanical precision systems advances the cutting material, whereas a fall-prevention system avoids that the shaped parts fall to the ground.



# SV3 MAXI

**With Sawing machine SV3 MAXI perfect cuts can be obtained within the nominal tolerance, able to cut up to 45 cm.**

DATI TECNICI / TECHNICAL DATA	SV3 MAXI
Cutting width	640 mm.
Cutting height	300 mm.
Maximum cutting height with special blade-guide	450 mm.
Dimensions of work surface	500 x 640 mm.
Maximum blade length	3650 mm.
Minimum blade width	3 mm.
Power of motor	3 HP 2,2 KW
Weight	250 Kg

Available either on a base-plate to cut the part on a fixed sawing machine, or on articulated arm and column to be able to make any type of shaped or circular cut.

As for the SN33 / SN44 also the MAXI model can be fitted with an inclinable device (SR-900) that applied to the base of the sawing machine permits an inclination from 1° to 45°.

## SET 3000

**To cut large size parts  
in Series.**

**Sawing machine SV3 MAXI complete with articulated arm, central column, pressure lock, material support, device for cutting arches.**

Consisting of an articulated arm and column, with SET 3000 a perfect cut can be obtained within the nominal tolerance, with 45 cm cutting capacity and 360° arm rotation.

The sawing machine can be fastened to the floor or on a platform, now available with special drilling so that the entire Set can be transported by truck lift and moved inside the Company or to other sites where it is to be used.

SET 3000 can be fitted with a material support composed of rollers, for easier manual positioning and movement of beams and large size parts. Approaching one or more roller tables to the Sawing machine, a customised material support can be constructed, according to the different sizes of the material to be cut.

The **new device for cutting arches** allows to fix the saw by a special graph bar at the request radius, for realize arcs and circumferences up to 360° rotating manually the saw all around the work piece.



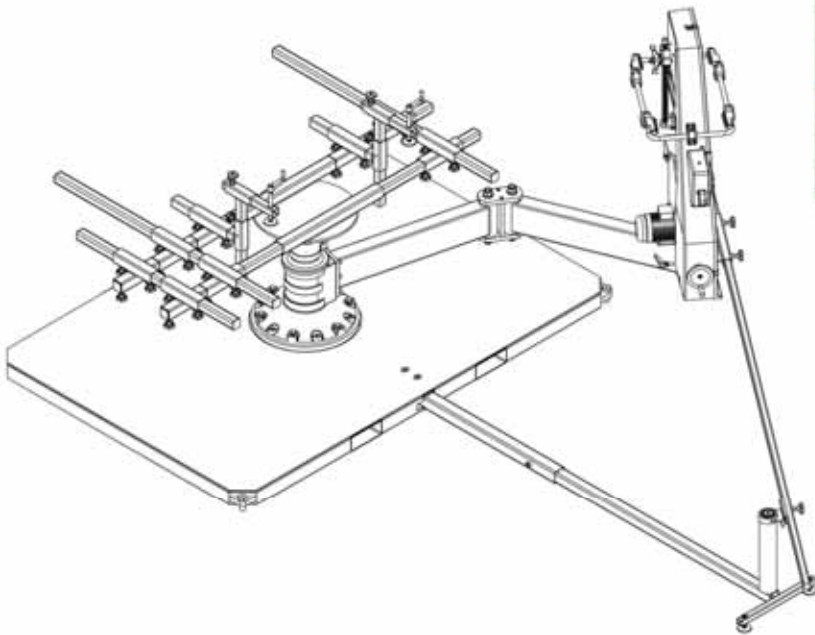
**SET 3000  
with mechanical feeding system  
of material for panels.**

Also for the MAXI model a pneumatic support is available with a material feed system, appropriate for cutting several panels simultaneously. With this new device, paired contours can be cut, mechanically moving the panels to be cut. It is ideal to cut large size panels or pieces of material, both for minor and major production in series.





## Saddle cut device.



Used to cut arcs with different radius, the saddle cut is an accessory designed for use in combination with the band saw SV3 MAXI with column (SET 3000).

The parts can be processed keeping the part fastened to the resting table with specific pressure locks, moving the saw around the part to be cut.

The device for saddle cutting consists of a base-plate, column with articulated arm, a special material support with specific pressure locks for clamping and a telescopic tube with joint and millimetre rod for the radius. With this new innovated accessory connected to the Sawing machine different radius measurements can be set in arc cutting. The amplitude of the arc is determined by the distance between the rotating support of the telescopic tube and the blade of the band saw.

DIMENSION AND MAXIMUM WEIGHT TO WORK	
Length	2000 mm.
Width	1000 mm.
Height	400 mm.
Weight	500 kg.
PARAMETERS OF WORK	
Maximum radius	4000 mm.
Minimum radius	1000 mm.



detail of processed part

## Accessories. Small solutions for big results.

Over years of research for new solutions to meet the most varied cutting requirements of the users, several accessories and devices have been designed to apply to the MD DARIO Sawing machines.

From Inclinable Support to Copying device, different pneumatic devices, automatic or manual feed supports.

The latest innovations added to the range are the cutting device ST-100 for small round items and the special system for saddle cutting to apply to SET 3000.

### Copying device.

This small accessory with its special shape is placed in the specific cavity under the blade-guide and perfectly follows the edge of the contours and arcs of any shape and circumference.

It is sufficient to fasten a template on the upper section of the part to be cut and the copying device travelling in radial direction follows the shape perfectly, permitting numerous cuts with considerable time-saving.



Photo above: copying device  
with example of contour copying

At the side: Set 1500 with application  
of ST 100 device for cutting trunks

### New device for cutting trunks ST 100

With this new device MD DARIO sawing machines add a new solution to obtain shaped cuts on sections with different size circular sections, by means of a fast and precise system, ideal for interlocking constructions and used for **houses in timber, tabiat, fences, flower boxes and items for urban furnishings and decorations.**

This device can be applied to either SET 1500 or SET 2000 without requiring any modification, and it is simple to assemble.

The round small item is placed in the spaces provided, clamped with a pressure lock and the sawing machine with copying device will carry out the most important part of the process, creating perfect circular interlocks.

Available also with NEW INCLINATION SYSTEM.

**Simplicity, agility and safety are the features that have always characterised MD DARIO sawing machines and accessories.**



## **Nastri lama in anelli.** / BANDSAW BLADE / SÄGEBLATT / LAME POUR SCIE

MD DARIO s.r.l. supplies accessories and spare parts for the sawing machines.  
The different sizes of the blades supplied for the SN33, SN44 and SV3 MAXI models  
are listed below.

### **SN33 - (Nuovo modello da Ottobre 2009 New model from October 2009)**

3 X 2530 mm  
5 X 2530 mm  
6 X 2530 mm  
8 X 2530 mm  
10 X 2530 mm  
13 X 2530 mm

Double tooth blade band 8 X 2530 mm

### **SN44 - (Nuovo modello da Aprile 2010 New model from April 2010)**

3 X 2720 mm  
5 X 2720 mm  
6 X 2720 mm  
8 X 2720 mm  
10 X 2720 mm  
13 X 2720 mm

Double tooth blade band. 8 X 2720 mm

### **SV3 MEDIA - (modello precedente - old model)**

3 X 2450 mm  
5 X 2450 mm  
6 X 2450 mm  
8 X 2450 mm  
10 X 2450 mm  
13 X 2450 mm

Double tooth blade band 8 X 2450 mm

### **SV3 MAXI**

6 X 3650 mm  
10 X 3650 mm  
13 X 3650 mm

**Note:**

## Contact



**MD DARIO s.r.l.**  
Via Magnadola 46, 31045  
Motta di Livenza (TV) ITALY

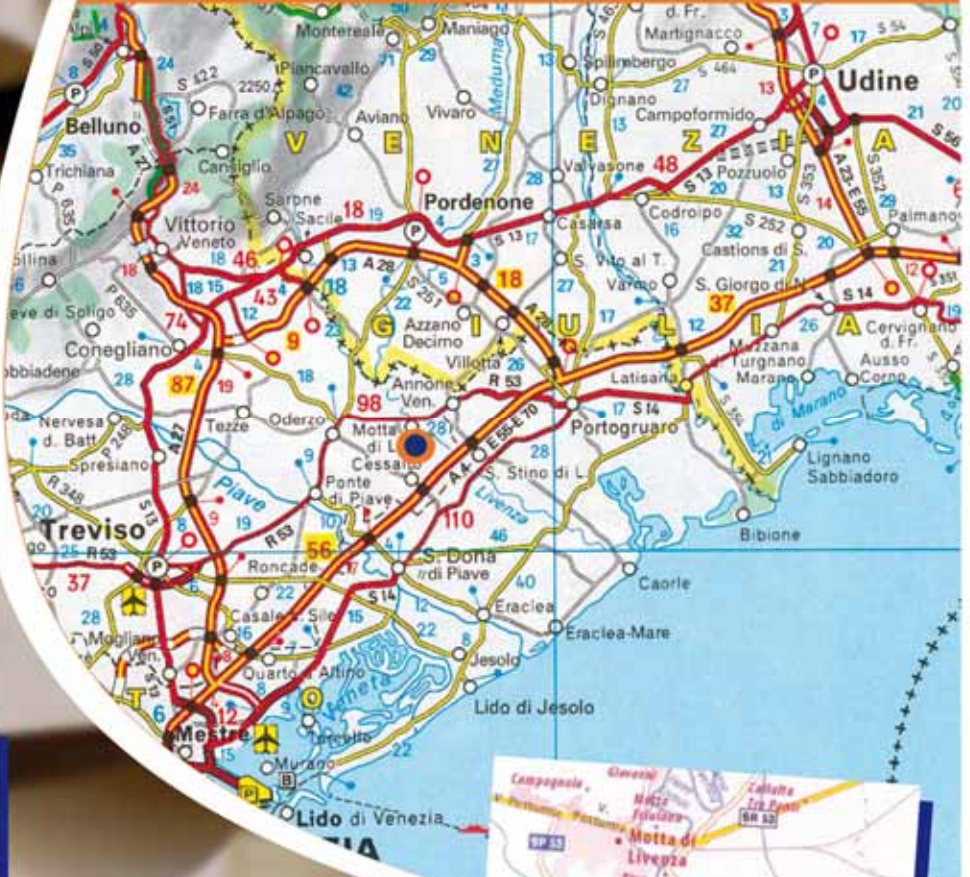
Tel.: (+39) 0422 766437  
Fax: (+39) 0422 764414

info@md-dario.com  
www.md-dario.com



## Come raggiungerci: dall'Autostrada

Prendere l'uscita in direzione Cessalto e seguire  
Motta di Livenza / Zona Industriale Sud.  
A Calstorta continuare su SP54.  
Alla rotonda prendere la 2 uscita e continuare  
su SP54.  
Arrivo in Via Magnadola 46 sulla SX.



**MD DARIO s.r.l.**  
Segatrici per legno e pietra



BREVETTI DEPOSITATI MADE IN ITALY  
La MD si riserva di apportare senza nessun preavviso qualsiasi modifica ritenesse opportuna.

PATENTS REGISTERED . MADE IN ITALY  
MD reserves the right to make modifications without notice.